

OCHIAI

OCHIAI NEW HEDGE TRIMMER

EH-25SK, EH-25LK
Adjustable angle type

TH-10SK, TH10LK
Fix type



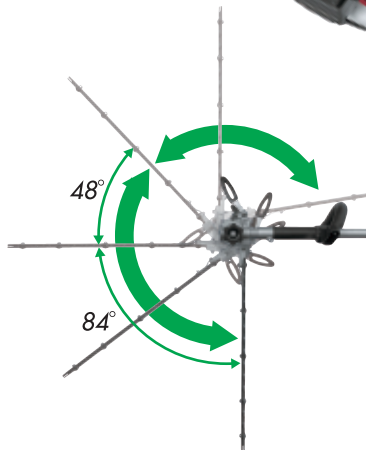
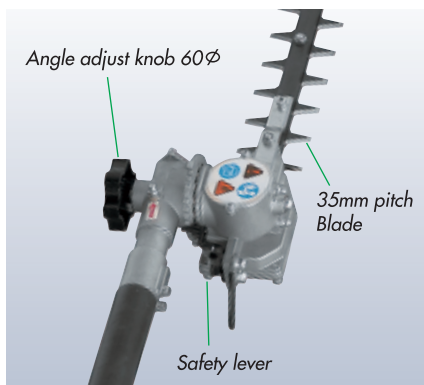
Feature

1. Adjustable angle is upper 48° lower 84°
2. Angle adjust knob is $\phi 60$ safety lever adopted.
3. Blade pitch is 35mm and three sides grinded. You can cut under $\phi 10$ branches.



Feature

1. Well balanced Machine will realize long time work.
2. Blade pitch is 35mm and three side grinded. You can cut under $\phi 10$ branches.



Specifications

MODEL	Adjustable angle type
Pole and Shaft	24, $\phi 7 \times 7 \times 0.75$
Engine	KHI TJ27 26.3cc
Weight	Hedge Trimmer 2.4kg Power Unit 3.8kg
Trimmer Length	525mm
Pole Length	Short type 900mm Long type 1260mm
Overall Length	Short type 1630mm Long type 1990mm

MODEL	Fix type
Pole and Shaft	24, $\phi 7 \times 7 \times 0.75$
Engine	KHI TJ27 26.3cc
Weight	Hedge Trimmer 2.2kg Power Unit 3.8kg
Trimmer Length	500mm
Pole Length	Short type 900mm Long type 1260mm
Overall Length	Short type 1630mm Long type 1990mm

OCHIAI CUTLERY MANUFACTURING CO.,LTD.

58, Nishikata, Kikugawa-city, Shizuoka-ken, Japan
Telephone : (0537)36-2161 Fax : (0537)35-4643
E-mail : tokuhan@ochiai-1.co.jp Web : <http://www.ochiai-1.co.jp/>